



## MINIATURE ROTARY SWITCH

- Cost effective single wafer switch
- Moulded 27.5 mm diameter
- Standard 30° Indexing
- Upto 4 poles
- Manufactured in association with Lorlin Electronics, UK

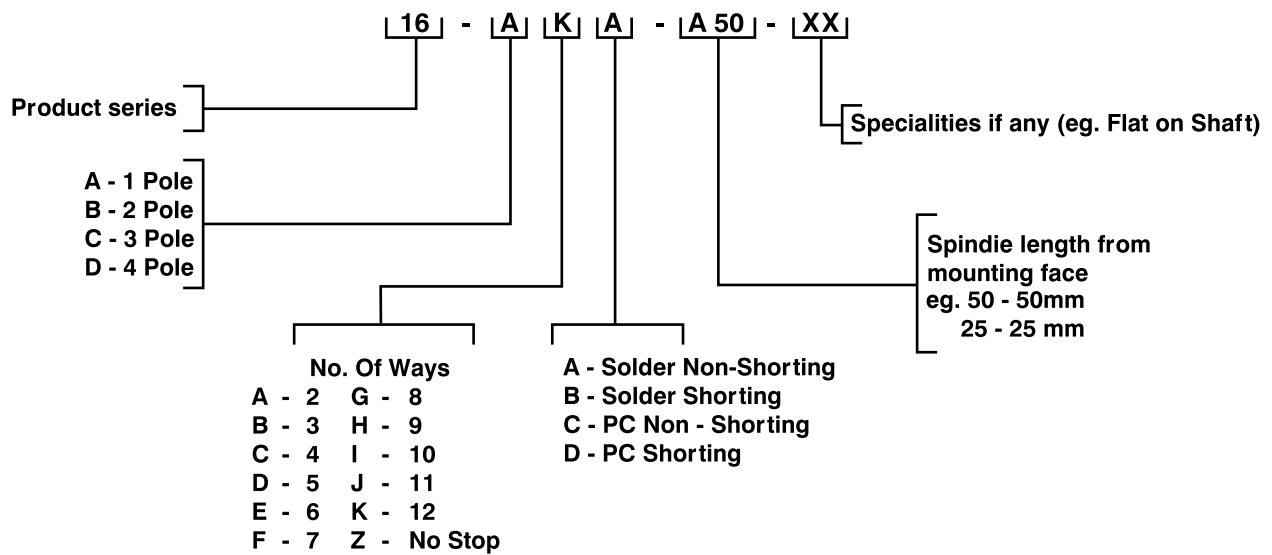
### GENERAL ELECTRICAL AND MECHANICAL SPECIFICATION

Maximum working Voltage	: 300V AC/DC resistive load	Life	: Greater than 10,000 cycle
Proof Voltage	: 1,000 V RMS min.	Operating Torque (nominal)	: Standard 5,6 Ncm Light action 2.1 Ncm
Current Carrying Capacity	: 5A (non switching)	End Stop Torque (Minimum)	: 1.13 Nm
Contact Rating (switching)	: 150 m A 250 V AC / DC	Moulded Material	: Glass filled nylon
Insulation Resistance	: 25,000 megohms min.	Contact/Terminal Material	: Silver plated Brass
Operating temperature	: 30°C to +85°C		

### OPTIONS AVAILABLE

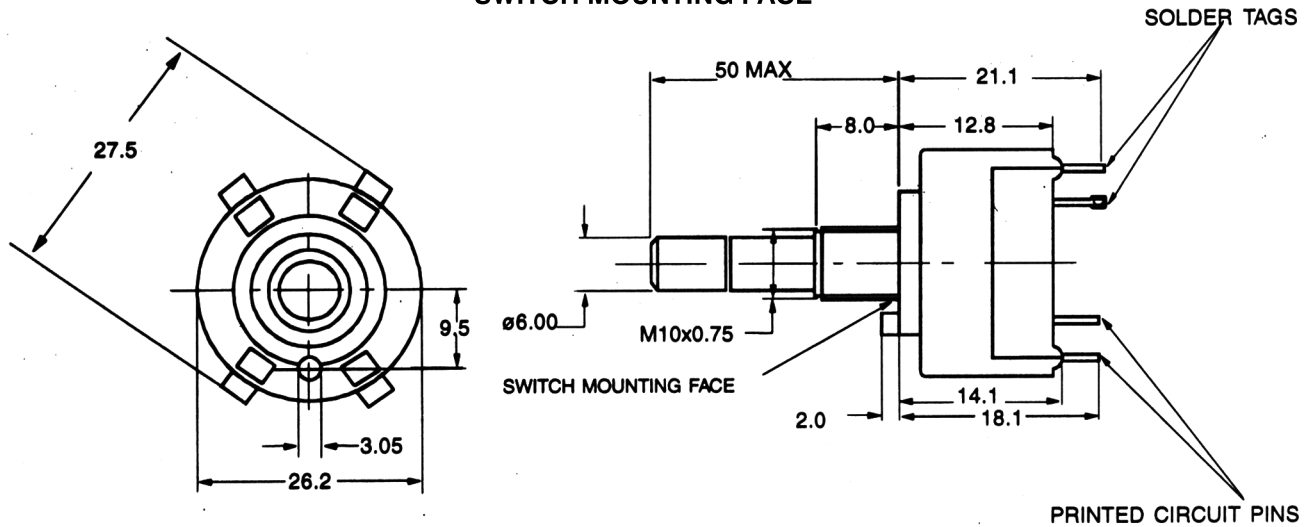
<b>CIRCUITRY</b> 1 Pole, 2 Pole, 3 Pole, 4 Pole upto 12 positions.	<b>TERMINALS</b> Solder / Pcb	<b>STOPS</b> Stops are adjustable from 2 - 12 positions. Continuous rotation (No stops) available.
---	----------------------------------	--

### HOW TO ORDER

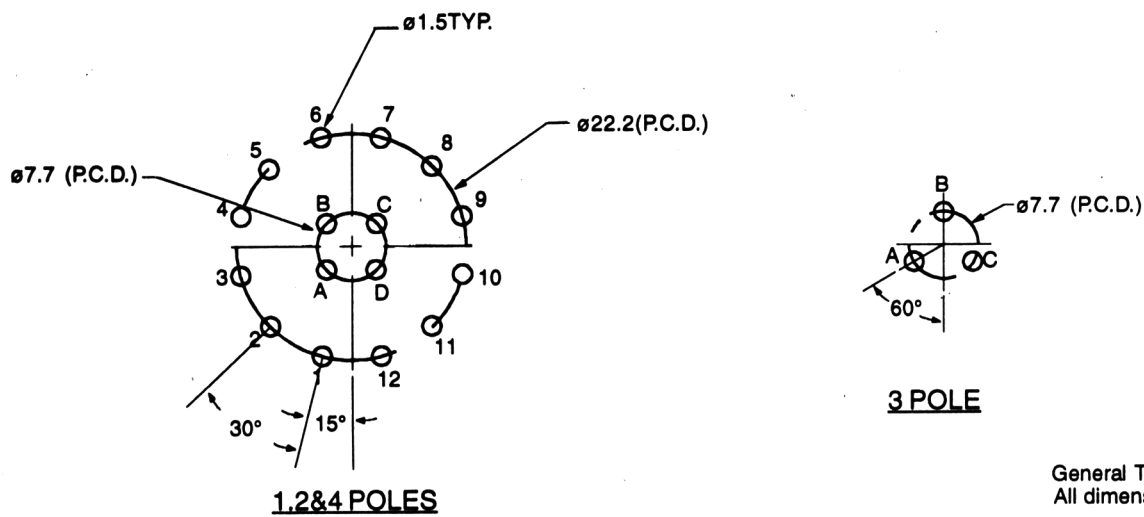


## GENERAL DIMENSIONAL DETAILS

### SWITCH MOUNTING FACE

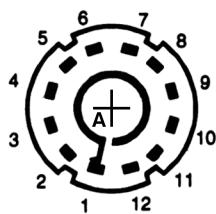


### P.C.B HOLE LAYOUT (COMP. SIDE)

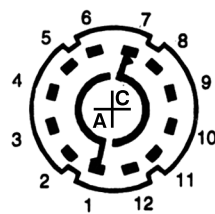


General Tolerance :  $\pm 0.2$   
All dimensions are in mm

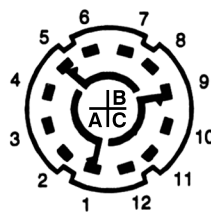
## STANDARD CIRCUIT CONFIGURATION



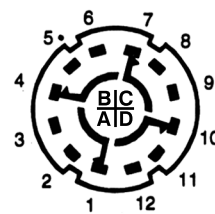
1 pole 12 way  
30° Throw



2 pole 6 way  
30° Throw



3 pole 4 way  
30° Throw



4 pole 3 way  
30° Throw

WAFERS VIEWED FROM FRONT OF SWITCH EXTREME ANTICLOCKWISE POSITIONS (POSITION 1)